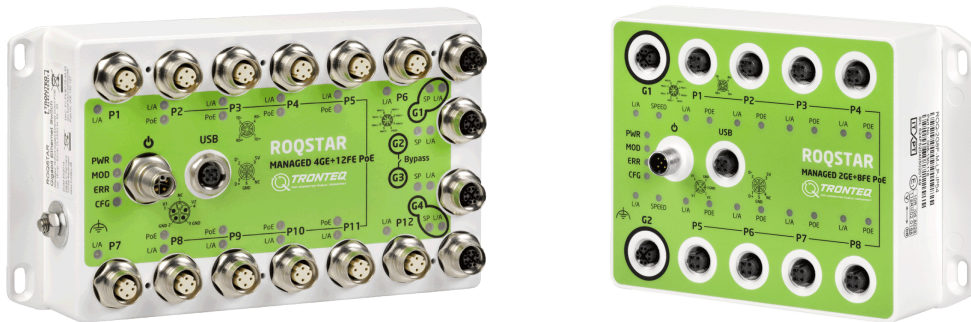




## Software User Manual



## ROQSTAR

## Managed Gigabit Ethernet Switches

© 2022 TRONTEQ

All rights are reserved. The content of this document is protected by copyright. Its use is allowed as part of use of TRONTEQ products. Any other use which goes beyond that, in particular copying, reproduction, or translation, requires written consent of TRONTEQ.

TRONTEQ reserves the right to modify the contents of this document. In addition, we refer to the conditions of use specified in the license agreement. The latest revision of this document is available on [www.tronteq.com](http://www.tronteq.com).

# Introduction

---

Thank you for working with ROQSTAR Ethernet Switches.

This manual is intended to give you details on how to use ROQSTAR Managed Switches and their capabilities.

It shall help you when working with ROQSTAR for the first time, when designing the network architecture as well as using software features.

Furthermore, it shall serve you when troubleshooting issues and answer common questions.

If you have any questions about the product or the documentation, please feel free to visit our website [www.tronteq.com](http://www.tronteq.com) and contact us via [support@tronteq.com](mailto:support@tronteq.com).

On our website we frequently publish additional information about applications of Managed Ethernet Switches in Public Transport.

Also, please refer to further product documentation such as the **Release Notes** with dedicated information about software versions, the **Installation Guide** that describes technical data of ROQSTAR Ethernet Switches and **Application Notes** for specific usage of our products.

# Content

---

<b>1 Related ROQSTAR Models.....</b>	<b>6</b>
<b>2 Getting Started.....</b>	<b>7</b>
2.1 Working with ROQSTAR Ethernet Switches.....	7
2.2 LED Function.....	7
2.3 USB Interface.....	8
2.3.1 USB Flash Drive.....	8
2.3.2 USB Actions.....	8
2.3.3 Getting Feedback on USB Actions.....	10
2.4 Web Interface.....	10
2.5 Power up Sequence.....	11
2.6 Configuration.....	11
2.6.1 Meaning of Settings and Configuration.....	11
2.6.2 Types of Configurations.....	12
2.6.3 Manage Configurations.....	12
2.6.4 Configuration Files.....	12
2.6.5 Creating a new Configuration File.....	13
2.7 Deployment Strategies.....	13
2.8 Auto-Deployment.....	14
2.9 Software Update.....	15
2.9.1 Installing the software.....	15
2.9.2 Device Settings after a Software Update.....	16
2.9.3 Fail-Safe Boot.....	16
<b>3 System Settings.....</b>	<b>17</b>
3.1 System Information.....	17
3.2 System Access.....	17
3.3 Management IP Interfaces.....	18
3.4 DNS Client.....	20
3.5 Local File Storage.....	21

<b>4 Network Features.....</b>	<b>23</b>
4.1 Port Settings.....	23
4.2 VLAN.....	24
4.3 DHCP Server.....	27
4.4 Rapid Spanning Tree.....	32
<b>5 Enhanced Features.....</b>	<b>33</b>
5.1 Power Over Ethernet (PoE).....	33
5.2 Network Address Translation (NAT).....	34
5.3 Port Forwarding.....	37
5.4 Quality of Service (QoS).....	38
5.5 Bypass Relay.....	39
<b>6 Diagnostic Features.....</b>	<b>41</b>
6.1 Identifying the ROQSTAR Device.....	41
6.2 Port Monitoring.....	42
6.3 Packet Counters.....	43
6.4 PoE Monitoring.....	44
6.5 Event Logging.....	45
6.5.1 Internal Event Logging.....	45
6.5.2 Remote Event Logging.....	46
6.5.3 NTP Client.....	47
6.6 DNS-SD Inventory Service.....	47
6.7 ITxPT xstatus.....	48
6.7.1 Device Status No. 1.....	48
6.7.2 Device Status No. 20.....	48
6.7.3 Device Status No. 31.....	49
6.7.4 Device Status No. 32.....	49
6.7.5 Device Status No. 33.....	49
6.8 SNMP.....	49
6.8.1 SNMP Traps.....	51
6.9 LLDP.....	52
6.10 Port Mirroring.....	53
<b>7 Factory Default Settings.....</b>	<b>55</b>

# 1 Related ROQSTAR Models

This manual applies to software version 2.4.1 and higher for the following ROQSTAR models:

Part number	Description
006-130-117	ROQSTAR Managed 2GE+8FE Gigabit Ethernet Switch M12
006-130-118	ROQSTAR Managed 2GE+8FE Gigabit Ethernet Switch M12 PoE
006-130-124	ROQSTAR Managed 4GE+12FE Gigabit Ethernet Switch M12
006-130-125	ROQSTAR Managed 4GE+12FE Gigabit Ethernet Switch M12 PoE
006-130-126	ROQSTAR Managed 4GE+12FE Gigabit Ethernet Switch M12
006-130-127	ROQSTAR Managed 4GE+12FE Gigabit Ethernet Switch M12 PoE
006-130-132	ROQSTAR Managed 10 Port Gigabit Ethernet Switch M12
006-130-133	ROQSTAR Managed 10 Port Gigabit Ethernet Switch M12 PoE

The individual capabilities and differences of these devices are detailed in the **Installation Guide** documents, available at our website. Please visit [www.tronteq.com](http://www.tronteq.com) for up-to-date information and documentation.

## 2 Getting Started

To get the best experience with this documentation and to speed up the learning process, we recommend following the described steps and settings live on a ROQSTAR device.

### 2.1 Working with ROQSTAR Ethernet Switches

There are several ways to interact with a ROQSTAR device:

- **LEDs** provide basic information about the device condition. They display information about operational mode, configuration saving, network connection, network activity and PoE state.
- The **USB Interface** is used to apply or reset device settings. It is an easy way to change/update settings without additional tools.
- The **Web Interface** supports all settings and monitoring options. It is used to create configuration files, manage settings and maintain software.
- ROQSTAR devices support an **API** (Application Programming Interface) for applications where automated deployment or monitoring is needed.
- An Auto-Deployment feature makes the distribution and application of configuration files onto ROQSTAR devices easy and fast.
- There are several options, such as SNMP, event logging, ITxPT xstatus, to monitor and diagnose ROQSTAR device and network operation.

### 2.2 LED Function

Device Status LEDs:

LED	Off	On	Blink
PWR	power down	valid supply voltage applied to V1 and V2	valid supply voltage applied to either V1 or V2
MOD	device is booting	device is operational	USB action is running
ERR	normal operation	fatal error	USB error or alternate partition was booted unexpectedly
CFG	device running with factory default settings	device applied and saved user defined configuration	user defined configuration applied but not saved yet

Ethernet Port LEDs:

LED	Off	On	Blink
LA (Link/Activity)	no link	link established	traffic
SP (Speed)	link is 10/100 Mbps	link is 1000 Mbps	–
PoE	power off	power on	some LEDs: port blocked all LEDs: global PoE failure

## 2.3 USB Interface

The USB interface supports all common USB flash drive.

### 2.3.1 USB Flash Drive

The USB flash drive must be formatted with a Master Boot Record (MBR) and a single FAT32 partition.

To perform a USB action put a command file on the USB flash drive. The command file should be on the root file directory. The command file is a text file with UTF-8 encoding and can be created or edited with any common text editor. The name of the command file must be `command.txt`. Valid commands are listed below.

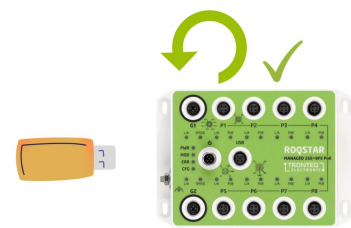
### 2.3.2 USB Actions

**Command:** `reset to default config`



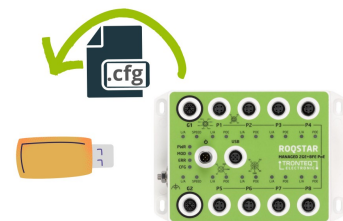
This is an easy way to reset the device in case access was lost.

All settings are reset to the default settings and saved permanently in the ROQSTAR device.



**Command:** `get running config`

Download the currently active configuration from the ROQSTAR device to the USB flash drive. The file will be saved in a subdirectory named after the serial number. The file name is the configuration name shown in the web interface, with file extension `.cfg`.

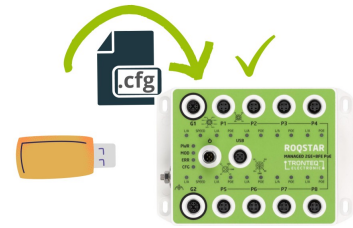




---

**Command:** apply config file

Upload, apply and save a configuration file from USB flash drive into ROQSTAR device. This command requires a valid configuration file on the USB flash drive. The file extension must be “.cfg”. The file name can be user defined. The file name and its relative path must be appended to the command text, e.g.:



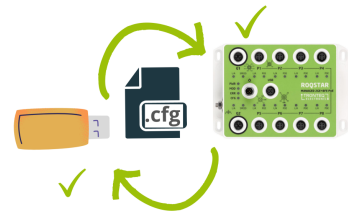
```
apply                config                file
configfiles/device1/myconfig.cfg
```

---

**Command:** usb sync

This command synchronizes the ROQSTAR device configuration file with the configuration file stored on USB flash drive.

The intention is to keep the USB flash drive plugged into the ROQSTAR device during operation. All persistently saved configuration changes are also stored on the attached USB flash drive in a file with the configuration's name, file extension “.cfg”.



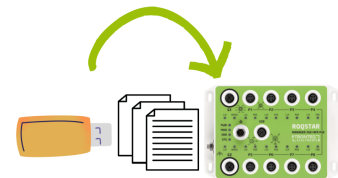
With this feature the current configuration file is always stored on the USB flash drive. In case of replacing a ROQSTAR device the configuration file will be automatically loaded from the USB flash drive into the new ROQSTAR device.

---

**Command:** file upload

This command copies files from the USB flash drive to the ROQSTAR device. The files to copy must be in a directory named “files”.

This feature provides an option for local upload of configuration files for multiple devices through one USB action.



---

**Command:** install update

This command installs a software image from USB flash drive. The image must be either in the root file directory of the USB flash drive and named “update.raucb”; alternatively a file path relative to the USB root and a file name can be appended to the command, e.g.:



---

```
install update dir_name/newversion.bin
```

After the installation the ROQSTAR device will reboot and load the new software automatically.

---

### 2.3.3 Getting Feedback on USB Actions

The execution of a USB action generates log entries.

While USB actions are executing the MOD LED is blinking. On successful completion the MOD LED goes back to permanently “on”. If the command was not recognized or there was an error during execution, the red ERR LED lights up until the USB flash drive is removed. An error message will be generated in the event log.

## 2.4 Web Interface

---

We recommend to use the latest version of Firefox, Chrome or Edge web browsers. To access the web interface please proceed as follows:

- 1) Establish a network connection between a computer and the ROQSTAR device.
- 2) Configure the computer’s network settings to be compatible with the ROQSTAR device’s IP address settings. Factory default settings of ROQSTAR device are:

```
IP address   192.168.1.1
subnet mask 255.255.255.0
```

- 3) Use a web browser on the computer to access the ROQSTAR device’s web interface. Both http and https can be used, but https triggers a warning about the self-signed certificate that needs to be accepted.
- 4) Login to the web interface with your credentials. The default settings for login are:

```
user name:  admin
password:   password
```



We recommend changing the default login credentials.

After logging in you will see the dashboard, which provides an overview. On the left there is a menu bar containing the features of the ROQSTAR device.

**ROQSTAR**  
Managed 2GE+8FE

<p><b>PWR</b> ●</p> <p><b>MOD</b> ●</p> <p><b>ERR</b> ●</p> <p><b>CFG</b> ●</p>	<p><b>Power supply:</b> V1 + V2</p> <p><b>Model:</b> ROQ-2G8F-M-LP-IP54</p> <p><b>Config Name:</b> Default.cfg</p>	<p><b>Device:</b> ROQSTAR 2GE+8FE Managed PoE</p> <p><b>Software:</b> 2.4.0</p> <p><b>Serial number:</b> 524F320406020039</p>	<p><b>Management MAC:</b> FC:F8:B7:07:40:ED</p> <p><b>System uptime:</b> 0:14:06</p> <p><b>Location:</b> location</p>	<p><b>Config changed:</b> no changes</p>
---	--	---	---	--

**Dashboard**

Monitor

- >System
- >Ports
- >Traffic
- >PoE
- >Logging

Configure

- >System
- >Ports
- >VLAN
- >IP Interfaces
- >QoS
- >Port Mirroring
- >LLDP
- >Spanning Tree
- >DHCP
- >PoE
- >STP
- >Remote Logging
- >SNMP
- >NAT

Maintain

- >Users
- >Configuration
- >Software

Third Party Notices

Logout

### Dashboard

**Quick Diagnostics**

Parameter	Status
Uptime	0:00:26
Power supply V1	Present
Power supply V2	Present

**Current Settings**

Parameter	Status
System Name	roqstar-fc8b70740ed
System Description	description
PoE budget allocated	240W

**Port Status**

Port	Link Status	Speed	Duplex
G1	down	-	-
G2	up	100	full
P1	down	-	-
P2	down	-	-
P3	down	-	-
P4	up	100	full
P5	down	-	-
P6	down	-	-
P7	down	-	-
P8	down	-	-

**PoE Status**

Port	PoE Status	Allocated
P1	not detected	-
P2	not detected	-
P3	not detected	-
P4	not detected	-
P5	not detected	-
P6	not detected	-
P7	not detected	-
P8	not detected	-

Reload the page in order to see updated information.

## 2.5 Power up Sequence

ROQSTAR device starts the boot sequence immediately after the power supply is applied to it. While booting up the software features are prepared and the saved configuration is loaded. The device start is performed with all Ethernet ports shut down.

The Ethernet ports are enabled as soon as all port related settings are applied. This ensures that there is no unintended communication.

The MOD LED indicates that all functions are ready for operation and the ROQSTAR device has finished its booting process. Apart from the number of ports the boot duration depends on the configuration of features and services like VLAN, DHCP and RSTP. Typically the boot up process takes less than 20 seconds.

## 2.6 Configuration

### 2.6.1 Meaning of Settings and Configuration

A ROQSTAR Managed Ethernet Switch is a smart device that allows users to customize its behavior and the setup of the network. The user is able to control, to define or to modify certain parameters of the network settings and features. To do so, the user needs to adjust the settings for the desired feature in the ROQSTAR device. The entire process of this setup as well as the setup itself is called **Configuration**.

All settings are stored in a **Configuration File**. The configuration file can be applied to other ROQSTAR devices or saved for further purposes.

## 2.6.2 Types of Configurations

There are different types of a ROQSTAR device configurations need to be considered:

- **Factory Default Configuration:** This is the initial setup of the device after the production process on factory side. This configuration consists of hard-coded (default) values for all settings and cannot be modified by the user. The user is able to return to this setup by performing a factory reset. The initial setup can be customized on factory side.
- **Applied configuration:** The configuration currently running on the ROQSTAR device: These are the settings that determine its behaviour. The 'applied configuration' is affected immediately when the user changes settings via the web interface and presses the corresponding 'set' button. This is the configuration that can be downloaded from the ROQSTAR device.

If the applied configuration is not saved it will be lost after a reboot.

- **Saved configuration:** The (applied) configuration that was last saved to the ROQSTAR device by the user, thereby making it persistent across device reboots. During boot up the ROQSTAR device will load this configuration.

## 2.6.3 Manage Configurations

We strongly recommend to handle ROQSTAR device settings by applying configuration files instead of manually changing settings in the web interface. A configuration file always contains the complete set of all settings for all features. This will ease the handling and prevent failures.

The strategy is to create all necessary configuration files up front using the web interface, then download them from the ROQSTAR device and store them on a computer. These configuration files can then be uploaded to the desired ROQSTAR devices via their web interface, USB port or API when needed.

During the application or reset of a configuration the ROQSTAR device's ports will be disabled temporarily.



We strongly recommend not to modify the configuration files manually.

## 2.6.4 Configuration Files

A configuration file contains all settings of the ROQSTAR device, including credentials for web interface login and SNMPv3 users. The passwords are hashed and not plain-text.

The configuration files created on and downloaded from one ROQSTAR device can be applied to another ROQSTAR device of the same model. The configuration file contains the type information of the ROQSTAR device model they were created on. Furthermore, they contain the name the configuration was given.

The content of a configuration file is compressed and encoded and includes a checksum. To decode/encode the files please contact our support team.



Take care to always use same software versions on the device where the configuration file is generated and the target device. Otherwise all settings must be checked carefully.

In general, configuration files created with a previous software version can be applied to a ROQSTAR device with a newer software. Settings that are missing in new configuration files due to different software versions are automatically supplemented with the default values after the software update is completed.

## 2.6.5 Creating a new Configuration File

In order to create a new configuration file adjust the desired settings in the ROQSTAR device's web interface. Save the settings persistently and define the name for the configuration. Then download it to your computer.



If access to the web interface is lost while working on the settings, power cycling the device. This will restore the previously saved state.

The 'save' button appears in the upper right corner as soon as any setting has been changed. When saving the configuration, you will be asked to enter a name for this configuration. This name makes it easier to identify and manage the configuration file.

## 2.7 Deployment Strategies

---

Deployment refers to a process for the distribution and installation of configuration files or software image updates. ROQSTAR Ethernet Switches support the following deployment options:

- 1) Use the **web interface** to upload and apply a configuration file. This is typically used for testing purposes and while designing the network. However, the IP address settings of the ROQSTAR device need to be considered. Using several ROQSTAR devices with factory default settings within the same network will likely cause an IP address conflict.
- 2) Use a **USB flash drive** to apply an existing configuration file to a single ROQSTAR device. This is the easiest way to change the devices settings, especially if there is no network access to it. We call this type of distribution "Offline Deployment".
- 3) Use the built-in **Auto-Deployment feature**. This function will distribute configuration files from a single USB source to all ROQSTAR devices connected within a network.

This is especially helpful when setting up initial operation on a vehicle with more than one ROQSTAR device. This feature requires compatible default settings of all participating ROQSTAR devices.

- 4) Use the built-in **API** to automate distribution of configuration files. This is the most efficient way to update existing settings of multiple ROQSTAR devices, if they are already accessible through the network. We call this type of distribution “Online Deployment”.
- 5) Order **pre-configured** ROQSTAR devices with customized configuration. The customer’s configuration file can be loaded on factory side.

## 2.8 Auto-Deployment

---

This feature provides automated distribution and installation of configuration files for all “unconfigured” ROQSTAR devices connected within a network. Specifically this is intended to be used when there are multiple devices with the same default configuration and IP address connected together, thus preventing web interface and API usage.

The user can trigger this function by USB command. The ROQSTAR devices will distribute and apply dedicated configurations by themselves in a daisy chain manner.

To utilize this feature the ROQSTAR devices should have the following functions already enabled. This is usually done on factory site by installing a dedicated default configuration with these settings:

Initial settings (e.g. in specialized default configuration):

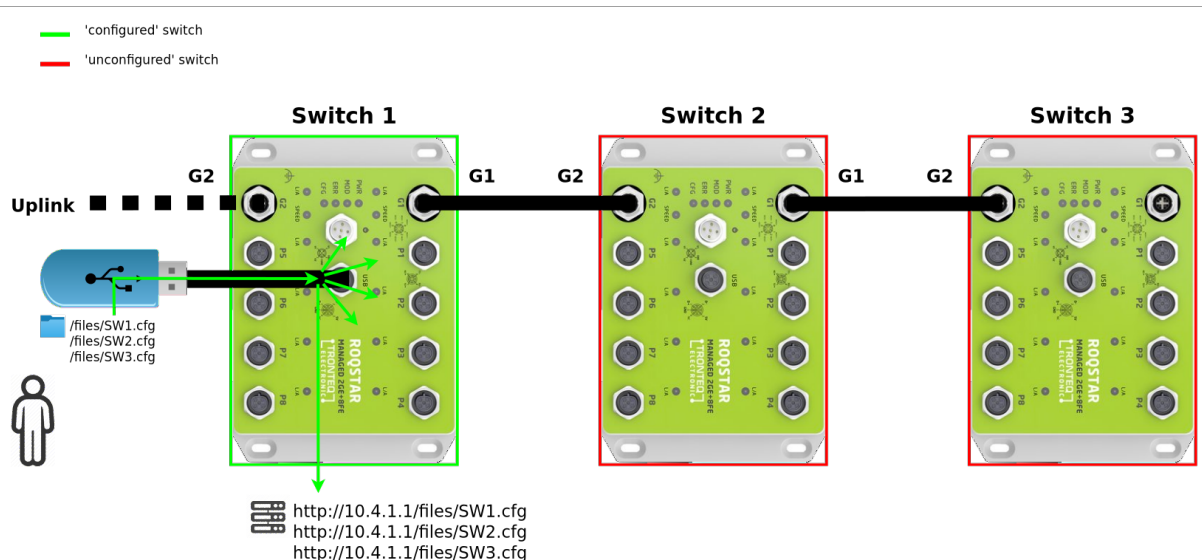
- VLAN settings that match the target setup
- DHCP Client enabled, including the ‘Provision’ and ‘Filter’ options

The USB flash drive should contain:

- configuration files for all ROQSTAR devices, which have settings that facilitate the distribution to the neighboring devices: VLAN, port-based DHCP server, file access via URL
- the `command.txt` file with Auto-Deployment commands `files upload` and `apply config file`

The user has to perform the following actions:

- Install all ROQSTAR devices and interconnect them to a network
- Power up all ROQSTAR devices
- Connect a prepared USB flash drive to one pre-determined ROQSTAR device. The user decides which ROQSTAR device acts as entry device by defining its configuration file in the USB command.



The ROQSTAR Ethernet Switches will then perform the following actions:

- The first device will copy all configuration files to its internal storage.
- It will apply the configuration file specified by the USB command.
- After the first device is configured DHCP is used to offer an IP address and the configuration file name to the neighbor device, which will accept the IP before downloading all configuration files and applying the one with the correct name.
- This is repeated until all participating ROQSTAR devices store all configuration files and have applied their configuration.

Once uploaded, the configuration files can also be managed through the web interface.

In case one of these devices is replaced with a new “unconfigured” device, the new device will get the configuration from one of its neighbors.

## 2.9 Software Update

### 2.9.1 Installing the software

The software running in the ROQSTAR Ethernet Switch supports updates. The update process is fail-safe because two equivalent software partitions are used. During an update the software image is always installed on the alternate partition. After reboot the system will be loaded from the partition that was updated last. Therefore the ROQSTAR device must be rebooted to complete the update.

To check the differences between the software versions, please refer to the “release notes” documents.

The user can perform the installation of a new software image either

- by using the USB interface

- or by using the web interface

The ROQSTAR device validates the software image and only proceeds with the installation if the device model matches.

During the update process corresponding log entries are generated. The current software version is displayed in the web interface.

When updating via USB interface the reboot will be triggered automatically. When performing the update through the web interface the reboot must be triggered manually by using the reboot button in the web interface.

## 2.9.2 Device Settings after a Software Update

 info

We strongly recommend checking all settings after the software update.

When performing a software update, saved settings of the ROQSTAR device will be copied to a new configuration file. If the new software version supports additional settings that are unknown in the previous software version, they will be set to default values automatically.

## 2.9.3 Fail-Safe Boot

The system starts always from one of two partitions until a software update will be performed or the boot sequence will fail from this partition for 3 times in a row. In case of a failure during boot the process will automatically switch to the alternate partition and load the software image stored there.

 info

It is important to ensure that both partitions contain the same software version. This avoids unintended loading of older software version.

### **Please Note:**

Booting from the alternate partition can also be triggered if power loss occurs during the boot process repeatedly. To avoid unintended booting of older images, we recommend to perform a software update twice in a row. By doing so, both boot partitions will be updated to the same version.

Installed software versions on both partitions as well as the currently booted partition are shown in web interface.



## 3 System Settings

---

### 3.1 System Information

---

The system information contains device specific identification and general parameters such as device's **Name**, **Serial Number**, **Software Version**, **Management MAC**. **Description**, **Contact** and **Location** settings can be modified by user. The system information will be used by several features to provide the identification of the device:

- Name is advertised by LLDP
- Name, Contact and Location are advertised via SNMP
- Management MAC Address is being used for the device's IP communication

System	Status
Name	roqstar-fcf8b7080000
Serial Number	524F531A04000000
Software Version	2.0.1
Management MAC	FC:F8:B7:08:00:00
Description	<input type="text" value="description"/>
Contact	<input type="text" value="contact"/>
Location	<input type="text" value="location"/>

**Description** A descriptive text for the device's function can be saved here.

**Contact** A descriptive text containing the contact information can be saved here.

**Location** A descriptive text containing the device's location can be saved here.

### 3.2 System Access

---

This function provides control over the access to the Management Interface of the ROQSTAR device. New administrative users may be added/deleted or existing credentials may be changed here. A user may be deleted only when it is not used for the current Management session.

**Note:** More than one user may be logged in at same time but it should be avoided that multiple users are actively changing the configuration settings simultaneously.

### Add User

Setting	Status
Username	<input type="text"/>
New Password	<input type="text"/>
New Password (Repeat)	<input type="text"/>
<input type="button" value="Add User"/>	

**Username** New user's name.

**New Password** New user's password.

**New Password (Repeat)** New user's password entered a second time.

**Add User** This operation will activate this user. After this operation the new user may be used for Management Login.

### Edit User

Setting	Status
Username	admin <input type="button" value="v"/>
New Password	<input type="text"/>
New Password (Repeat)	<input type="text"/>
<input type="button" value="Change Password"/> <input type="button" value="Remove User"/>	

**Username** The user's name to be edited.

**New Password** The new password for the selected user.

**New Password (Repeat)** The new password for the selected user entered a second time.

**Change Password** This operation will change the selected user's password.

**Remove User** This operation will delete the selected user.

**Note:** The selected user can not be deleted if it is being used for the current Management session.

**Note:** The user passwords are saved in an encrypted form in the configuration file.

## 3.3 Management IP Interfaces

This feature allows the configuration of management IP Interfaces. In a non-VLAN configuration only one IP Interface is available for configuration while in a VLAN enabled setup **one IP Interface per VLAN** will be available for configuration. IP Interface is defined by Name, IP Address, Netmask, Gateway (optional).

IP interfaces are necessary for ROQSTAR device to provide IP-based services/features like:

- Web interface / API access
- DHCP Server
- DNS Client
- NAT
- SNMP
- Remote Logging
- NTP Client
- DNS-SD

The IP Interfaces may be configured using a static IP Address or a **DHCP Client** may be activated to obtain dynamic IP Address configuration. When enabling the DHCP Client function, the ROQSTAR device will retain the current configured static IP Address until the DHCP Clients obtains a new IP Address.

Configuration changes to the **VLAN** function will directly impact the state of the IP Interfaces configuration:

- VLANs without any Port Member will have no IP Interface available for configuration.
- toggling the '**VLANs enabled**' function will reset and delete existing IP Interfaces configuration.
- **deleting** a VLAN will delete the corresponding IP Interface configuration.
- existing non-VLAN IP Interface is automatically migrated to a "**Management**" VLAN with VID 1 if VLAN is set to enabled

Notes:

- Creating and maintaining a stable IP Interfaces configuration is made possible by creating a stable VLAN configuration up front.
- Extending the VLAN configuration will have no impact on the existing IP Interfaces configuration.

Interface	Settings			NAT		DHCP Client		
	IP Address	Netmask	Gateway	IP Forwarding	Proxy ARP	Operation	Provision	Filter
ipvlan1	192.168.1.1	255.255.255.0		<input type="checkbox"/>	<input type="checkbox"/>	<input type="checkbox"/>	<input type="checkbox"/>	<input type="checkbox"/>

### Interface

IP Interface name may be used to differentiate between VLAN and non-VLAN interfaces:

“iplan” IP Interface name is used for a non-VLAN configuration.

“ipvlanN” IP Interface names are used for VLAN configurations where **N** is the **VLAN ID**.

### IP Address

The static IP Address to be configured for this IP Interface.

<b>Netmask</b>	The static IP Netmask to be configured for this IP Interface.
<b>Gateway</b>	The IP Address of an <b>IP Router</b> used to manage IP communication between different local IP subnets.  <b>Note:</b> Only one <b>Gateway</b> is supported.
<b>IP Forwarding</b>	This setting will allow IP packets to be routed between different VLANs if they match a NAT (Network Address Translation) rule. This setting is necessary for applying NAT rules to IP packets entering or exiting this IP Interface.
<b>Proxy ARP</b>	This setting will allow ROQSTAR device to answer ARP requests for the 1:1 NAT <b>External IP Addresses</b> . This setting is necessary to assure successful connectivity to an external IP address while using 1:1 NAT.
<b>DHCP Client Operation</b>	IP Interface will dynamically configure itself using a DHCP Client.
<b>DHCP Client Provision</b>	This setting enables the DHCP Client to request and to process the <b>Auto-Deployment</b> content.
<b>DHCP Client Filter</b>	This setting will redirect all incoming DHCP Client Request/Discover packets to be handled by the ROQSTAR device. They will not be broadcasted.  This setting is effective only when the DHCP Client Operation <b>and</b> Provision settings are enabled.
<b>Status</b>	The current IP Address of ROQSTAR device.

## 3.4 DNS Client

---

DNS Client allows the usage of domain host names instead of IP Addresses for settings like NTP Server IP, SNMP Trap Receiver or Remote Logging Destination. DNS Client settings can be configured to use **Domain Name** to IP Address resolution provided by a DNS Server.

Name	Setting
Enabled	<input type="checkbox"/>
DNS Server Primary	<input type="text" value="0.0.0.0"/>
DNS Server Secondary	<input type="text" value="0.0.0.0"/>
Domain Search Name	<input type="text"/>
Timeout	<input type="text" value="3"/> seconds
Retries	<input type="text" value="2"/>
DNS over TCP	<input type="checkbox"/>

<b>Enabled</b>	This setting will activate or deactivate DNS function in ROQSTAR device.
<b>DNS Server Primary</b>	This setting is the IPv4 Address of a DNS Server towards which DNS Queries are sent. This DNS Server is the first one which is queried and as such it should always be reachable and not very far from the DNS Client in order to provide fast answers to the DNS Queries directed to it.
<b>DNS Server Secondary</b>	This setting is the IPv4 Address of a DNS Server towards which DNS Queries are sent. However this DNS Server is used as a fallback server which receives only the DNS Queries which were not responded by the primary DNS Server.
<b>Domain Search Name</b>	This setting stores the name of a domain which may be used as a suffix when resolving incomplete DNS host names. A typical DNS host name is in the " <b>hostname.domain</b> " format. When referring to " <b>hostname</b> " alone the DNS Client can automatically construct " <b>hostname.domain</b> " DNS Queries by appending the value stored in this setting to the " <b>hostname</b> ".
<b>Timeout</b>	This setting dictates the amount of time in seconds to wait for a response to a DNS Query. A time value between 1 and 30 seconds may be configured here.
<b>Retries</b>	This setting dictates the amount of times an unanswered DNS Query should be retransmitted. Between 1 and 5 retries may be configured here.
<b>DNS over TCP</b>	This setting tells the DNS Client to send DNS Queries encapsulated in the TCP protocol. By default the UDP protocol is used to transport the DNS Queries to DNS Servers.

## 3.5 Local File Storage

---

This feature provides local file storage for files to be distributed via Auto-Deployment function. The upload of files can be done via web interface or with a defined USB command. ROQSTAR device's web server provides the access to the files through an URL for other devices in the network.

## Files Settings

Name	Setting
Remaining free space	221 MB
Access files via URL	<input type="checkbox"/>

## Files Upload

No files selected.

**Remaining free space** Free space available for uploading new configuration files in the local persistent storage.

**Access files via URL** This setting makes all stored configuration files available for access via the builtin Web Server. This should be used with care as the access is available without authentication.

**Upload File** New configuration files can be uploaded using this upload form. Up to 16 configuration files can be stored in the local storage.

All files currently present in the storage are listed in a table:

## Files List

Name	Size	URL	Operation		
files.tar	34 KB	http://192.168.1.1/files/files.tar	<input type="button" value="Apply"/>	<input type="button" value="Download"/>	<input type="button" value="Delete"/>
SW1.cfg	25 KB	http://192.168.1.1/files/SW1.cfg	<input type="button" value="Apply"/>	<input type="button" value="Download"/>	<input type="button" value="Delete"/>
SW2.cfg	2 KB	http://192.168.1.1/files/SW2.cfg	<input type="button" value="Apply"/>	<input type="button" value="Download"/>	<input type="button" value="Delete"/>
SW3.cfg	2 KB	http://192.168.1.1/files/SW3.cfg	<input type="button" value="Apply"/>	<input type="button" value="Download"/>	<input type="button" value="Delete"/>

**Name** File name

**Size** File size

**URL** URL for accessing given file

**Operation** **Apply:** activate the selected configuration file for the local ROQSTAR device. The configuration file needs to be compatible with the current ROQSTAR device in order for this operation to be successful.

**Download:** retrieve the selected configuration file.

**Delete:** permanently remove the selected file from the storage.

**Clear All Files** This operation will remove all files from the ROQSTAR device storage. Resetting the ROQSTAR device configuration to factory settings will also remove cfg. files.

## 4 Network Features

### 4.1 Port Settings

This feature allows Individual ROQSTAR Ethernet Switch ports settings such as Name, Link State, Auto Negotiation, Speed and Duplex.

Port	Name	Link	Auto Negotiation	Speed	Duplex	ITxPT sstatus
G1		enabled	enabled	1000	full	<input type="checkbox"/>
G2		enabled	enabled	1000	full	<input type="checkbox"/>
P1		enabled	enabled	100	full	<input type="checkbox"/>
P2		enabled	enabled	100	full	<input type="checkbox"/>
P3		enabled	enabled	100	full	<input type="checkbox"/>
P4		enabled	enabled	100	full	<input type="checkbox"/>
P5		enabled	enabled	100	full	<input type="checkbox"/>

**Port** The port label corresponding to the port labels seen on the ROQSTAR device itself. A 'P' port represents a Fast Ethernet port while a 'G' port represents a Gigabit Ethernet port.

**Name** A descriptive text for the specific port link can be saved here.

**Link** **enabled:** This port is enabled and tries to establish a link whenever another device is connected to it.

**disabled:** This port is disabled and it will not establish a link with any other device that might be connected to it thus preventing any communication through it.

**Auto Negotiation** **enabled:** This ports tries to automatically detect partner's link parameters for link establishment. When this setting is enabled the configured Speed and Duplex settings are ignored.

**disabled:** This port uses the set Speed and Duplex to advertise a link.

**Speed** **10:** This port configures itself for Ethernet 10Mbps operation.

**100:** This port configures itself for Fast Ethernet 100Mbps operation.

**1000:** This port configures itself for Gigabit Ethernet 1Gps operation.

**Note:** this setting is used only when link Auto Negotiation is set to disabled.

**Duplex** **full:** This port directly configures itself for Ethernet Full Duplex operation. In this operation mode the optimal transmission speed

is reached by allowing the two sides of a link to use separate transmission (TX) and reception (RX) lines.

**half:** This port directly configures itself for Ethernet Half Duplex operation. In this operation mode a limited transmission speed is reached because the transmission (TX) and reception (RX) lines are shared between the two sides of a link.

**Note:** This setting is used only when link **Auto Negotiation** is set to disabled.

#### ITxPT xstatus

Enable link down reporting via xstatus on this port

Broadcasts Storm Protection provides control to packet flooding behavior.

Option	Enabled
Broadcast Storm Protection	<input type="checkbox"/>

#### Broadcast Storm Protection

If enabled, it will detect and limit high-bandwidth switching of broadcast frames. It offers protection against invalid network configurations which introduce switching loops.

Note: The switching loops are not eliminated, just their effects on the network bandwidth are limited. To eliminate switching loops Spanning Tree feature must be used.

## 4.2 VLAN

---

This feature allows ROQSTAR device to participate in or create multiple logical networks mapped over a single physical Ethernet network composed of one or more switches. The VLAN feature is implemented according to IEEE 802.1Q standard.

The VLAN configuration map, called **Port VLAN Membership**, is realized on a per port level. It allows a strict isolation of Ethernet traffic between groups of ports belonging to different VLANs. A physical ROQSTAR port may participate in different VLANs and still be able to properly segregate the traffic belonging to the different logical networks. VLAN traffic segregation is made possible because each VLAN has a unique identifier known as VLAN ID or **VID**. The VLAN ID information may be embedded in the switched frame as a **VLAN Tag**. A VLAN enabled ROQSTAR device will always evaluate the VLAN Tag frame information before switching it.

The ROQSTAR device supports the creation of up to 64 VIDs thus being able to create or participate in up to 64 separate logical networks.

VLAN function differentiates between two traffic types as seen from a port's perspective:

- **Ingress** traffic consists of frames entering a ROQSTAR port (received frames)
- **Egress** traffic consists of frames leaving a ROQSTAR port (transmitted frames)



Additionally, attention is paid to whether the frames carry a VLAN tag:

- **untagged** means that the frames do not have a VLAN tag.
- **tagged** means that the frames have a VLAN tag.

If the VLAN function is enabled, an ingressing frame generally may be transmitted only to those ports belonging to the VLAN that is specified in the frame's VLAN tag. In case of untagged ingressing packets the ingress port's **Default VID** is used instead.

The assignment of ports to VLAN are configured via the **Port VLAN Membership** described below. This table also specifies whether the packets that are egressing on a specific port will carry a VLAN tag or not.

VLAN function needs to be enabled before editing VLAN settings:

Setting	Status
VLANs enabled	<input type="checkbox"/>

Set VLAN Status

### Set VLAN Status

**enable VLAN:** This operation will activate the VLAN function and the default management VLAN ID 1 is automatically created. VID 1 will include all ports, and the previous management IP configuration is transferred to the IP interface of VID 1 (see section 'IP Interfaces').

**disable VLAN:** This operation will deactivate the VLAN function. The management IP configuration of VID 1 will be applied to the non-VLAN IP Interface, thereby preserving management access (see section 'IP Interfaces'). VID 1 will be deleted.

#### Notes:

- For ease of use VID 1 should be used as the Management VLAN and it should not be deleted. However, if desired, VID 1 can be removed after configuring a Management IP address in another VLAN.
- Disabling of the VLAN functionality is possible only if a VLAN with VID 1 is configured and assigned an IP address.

A new VID needs to be created in order to be able to set up a new logical network:

#### Add VID

VID	Name
2	CCTV

Add VID

**VID** The VLAN ID of the new logical network in the range 1 to 4094.

**Name** A descriptive name for the logical network.

**Add VID** Create new VLAN ID operation.

An existing VLAN ID may be deleted from the VID list:

VID	Name	action
1	Management	<input type="button" value="remove"/>
2	CCTV	<input type="button" value="remove"/>
3	TICKETING	<input type="button" value="remove"/>

**VID** VLAN Identifier for a logical network.

**Name** The descriptive name given for this logical network.

**Action** remove: deletes the selected VID.

**Note:** A VID can be deleted only when it's corresponding Port VLAN Membership table configuration is '-' and it is not used as a Default VID. Care should be taken to not remove all VLANs as this will remove the access to the Management Interface as well.

The mapping of the VLAN network to the physical ports is done in the Port VLAN Membership table:

**Port VLAN Membership**

VID	G1	G2	G3	G4	P1	P2	P3	P4	P5	P6	P7	P8	P9	P10	P11	P12
1	u	u	u	t	u	-	u	-	u	u	u	-	u	-	u	-
2	-	-	-	t	-	u	-	u	-	-	-	u	-	u	-	u
3	t	t	t	t	-	-	-	-	-	-	-	-	-	-	-	-

**VID** The VLAN ID corresponding to a logical network.

**<physical port list>** The individual physical ports may belong to one or several logical networks at one time. This is indicated using one of the following settings:

“-”: This port is not a member of this VID.

“u”: This port is a member of this VID and the egress frames will leave the ROQSTAR port without being tagged with the VID.

“t”: This port is a member of this VID and the egress frames will leave the ROQSTAR port tagged with the VID.

**Notes:**

The untagged “u” option is typically used for end network devices or edge devices, like IP cameras, that do not support VLANs.

The tagged “t” option should be used for VLAN capable devices which are able to access multiple VLAN networks or for the ports

connecting to another VLAN capable device. VLAN transfer ports require this setting.

Each port should have at most one untagged “u” setting. If more are configured then it will be impossible to correctly perform the required traffic segregation thus mixing together frames coming from different logical networks.

The Port Settings can be used to filter out ingress frames or modify the frame’s VID:

**Port VLAN Settings**

Port	Default VID	Discard Tagged	Discard Untagged	Force Default VID
G1	1	<input type="checkbox"/>	<input type="checkbox"/>	<input type="checkbox"/>
G2	1	<input type="checkbox"/>	<input type="checkbox"/>	<input type="checkbox"/>

**Default VID**

The Default VID is used for incoming untagged frames and for overwriting tags. If the port is for one VID in the Port VLAN Membership table configured as “u” (untagged), then this setting should have the same VID value.

**Discard Tagged**

Discard all Tagged Ingress Frames.

**Discard Untagged**

Discard all Untagged Ingress Frames.

**Force Default VID**

This will override the tag in all ingress frames with the Default VID.

## 4.3 DHCP Server

ROQSTAR device supports dynamic distribution of IP address configuration to peripheral devices with DHCP functionality. The DHCP feature allows both dynamic and static IP address configuration to be assigned to different classes of network hosts (DHCP clients).

Dynamic IP address configuration makes use of **Dynamic Leases** (DYN). Dynamic leases are IP addresses taken from a **Default Pool** or “range” of reserved IP addresses and given (leased) to other network hosts on a temporary basis specified by a configurable **Lease Time**. These leases are returned to the default pool and reused for future leases once the network host is disconnected and it’s reserved **Lease Time** expires.

Static IP address configuration makes use of two other lease variations called **DHCP Option 82 Leases (O82)** and **Host Based MAC Leases (MAC)**.

- **DHCP Option 82 Leases** may be used to assign the same IP configuration to any network host attached to a specific ROQSTAR port (port based).

- **Host Based MAC Leases** may be used to assign the same IP configuration to a specific network host as identified by it's MAC address.

The ROQSTAR device supports a separate DHCP server for each VLAN / IP subnet (also called DHCP subnet). Each DHCP subnet can be configured independently. A DHCP-subnet is represented by valid **VLAN / IP Interfaces** combinations configured in the ROQSTAR device. Changes to either VLAN or IP interfaces configuration will directly impact the DHCP configuration as follows:

- changing the **IP Address** of an **IP Interface** will reset the existing DHCP configuration belonging to the respective subnet
- deleting the **IP Address** of an **IP Interface** will reset the existing DHCP configuration belonging to the respective subnet. DHCP Service will not function on subnet in which the ROQSTAR has no configured IP address (the IP address is 0.0.0.0).
- adding an **IP Address** to an **IP Interface** will automatically create a corresponding DHCP subnet.
- changing **Port VLAN Membership** will reset the existing **DHCP Option 82 Lease** DHCP configuration of any affected ROQSTAR ports.
- deleted **VLAN Ids** or **VLANs** without any **Port Members** will have their corresponding DHCP configuration deleted.

#### Notes:

- Create stable **VLAN** and **IP Interfaces** configuration **before** creating a DHCP configuration
- Extending the **VLAN** or **IP Interfaces** configuration will have no impact on the existing DHCP configuration.

Subnet Settings	
<b>DHCP Active:</b>	<input checked="" type="checkbox"/>
Name:	Local VLAN 1 Subnet
IP Interface:	192.168.1.1/ipvlan1
Network:	192.168.1.0
Netmask:	255.255.255.0
DHCP Role:	server
Description:	<input type="text"/>

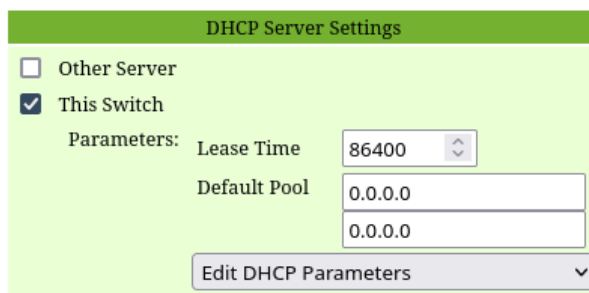
**Name** A fixed identifier stating the **VLAN** from which this DHCP Subnet was created.

**Note:** Local subnets are automatically created/deleted/reseted based on the local **VLAN / IP Interfaces** configuration.

**IP Interface** The corresponding IP Interface configuration for this DHCP Subnet. Needs to be non 0.0.0.0.

**Note:** DHCP subnets with no **IP Address** are unusable for DHCP server

<b>Network</b>	The network address of the current subnet derived from the <b>IP Interface</b> configuration. Needs to be non 0.0.0.0.
<b>Netmask</b>	The netmask address of the current subnet derived from the <b>IP Interface</b> configuration. Needs to be non 0.0.0.0.
<b>DHCP Role</b>	<b>server</b> : The ROQSTAR device operates as a DHCP Server for all enabled subnets. <b>relay</b> : The ROQSTAR device operates as a DHCP Relay for all enabled subnets.
<b>DHCP Active</b>	Check mark to enable or disable the DHCP operation for this subnet. Enabling the DHCP operation on this subnet will reroute all DHCP packets entering the ROQSTAR device to the local DHCP service.
<b>Description</b>	A descriptive text can be saved here.
<b>DELETE</b>	Remote DHCP subnets may be removed with this operation. <b>Note</b> : This button is disabled for automatically created DHCP subnets based on the local <b>VLAN / IP Interfaces</b> configuration.
<b>APPLY</b>	This button becomes available only when a configuration setting has been changed. Using this button will validate and apply the DHCP configuration for this subnet. <b>Notes</b> : <ul style="list-style-type: none"> <li>• Using the <b>APPLY</b> operation for a DHCP Subnet, it will discard any unsaved changes which may have been made in other DHCP subnets.</li> <li>• Unsaved DHCP configuration for a subnet is indicated by a light yellow background color of the subnet table.</li> </ul>



<b>Other Server</b>	This setting configure the DHCP service on this Subnet to use a remote DHCP Server located in another device. When configured this will set the <b>DHCP Role</b> to “ <b>relay</b> ”. <b>Note</b> : The IP Address 127.0.0.1 configured here points to the local DHCP Server.
<b>This Switch</b>	This setting configure the DHCP service on this Subnet to use the local DHCP Server. When configured this will set the <b>DHCP Role</b> to “ <b>server</b> ”.

**Note:** The **Parameters** settings will be visible only when this setting is selected.

## Parameters

**Lease Time:** the time in seconds after which an IP Address configuration leased to a DHCP Client expires. After expiration the lease will be marked as **free** and reused for future leases. The default value is 86400 seconds (24 hours) with the minimum value being 300 seconds (5 minutes) and the maximum 604800 seconds (7 days).

**Default Pool:** An IP Address range valid within this subnet's range of valid network hosts and non-conflicting with any static leases configuration. The range start IP Address needs to be smaller or same as the range end IP Address in order to be able to define a valid range. The default range 0.0.0.0 to 0.0.0.0 means that no dynamic leases are configured which effectively disables dynamic clients IP Address configuration.

**Edit DHCP Parameters:** A drop-down list of additional DHCP configuration parameters which may be offered to DHCP Clients together with an IP Address lease. The parameters are grouped in this list when their default configuration remains unchanged. Select any parameter from the drop-down list to configure it. Delete the value of any configured parameter to restore it to its default state.

**Netmask:** The DHCP Option 1 – Subnet Mask information to be offered to clients. The default value is the same value as the local subnet's network mask. A valid value here needs to be a subset of the local subnet's network mask.

**Gateway:** The DHCP Option 3 – Router information to be offered to clients. The default value is 0.0.0.0 which means that no Router information is offered. A valid value here needs to be an IP Address non-conflicting with the **Network** and **Netmask** addresses, with the **Default Pool** range or with any static lease IP Address configuration. The Gateway's IP Address is also required to be included in the range of valid IP Hosts for this Subnet.

**Primary DNS** and **Secondary DNS:** The DHCP Option 6 - Domain Name Server information to be offered to clients. The default value is 0.0.0.0 which means that no DNS Server information is offered to clients. The **Secondary DNS** may be used only in conjunction with a valid **Primary DNS**.

**Domain:** The DHCP Option 15 - Domain Name information to be offered to clients. The default value is an empty text string. Domain names up to 255 characters may be configured here.

Lease Settings						
Type	Identifier	IP Address	Configuration Provision	State	Expiry	Delete
Option 82	Port P2	0.0.0.0		free	00:00:00	X
Option 82	Port P3	0.0.0.0		free	00:00:00	X
MAC	00:00:00:00:00:00	0.0.0.0		free	00:00:00	X

Click to configure new static lease ▼

- Type**                    **O82:** short name for static Port Based O82 Leases.  
**MAC:** short name for static Host Based MAC Leases.  
**DYN:** short name for dynamic leases.  
**Note:** O82 and MAC leases are added through the **Click to configure new static lease** drop-down list.
- Identifier**            for **O82** leases this is the **Port Name** where a fixed static IP Configuration is offered to any attached device.  
for **MAC** leases this is the **MAC Address** of a client being offered static IP Configuration. A value of 00:00:00:00:00:00 means that the lease is not yet configured.  
for **DYN** leases this is the **MAC Address** of the client using this dynamic lease.
- IP Address**            For all lease types this is the IP Address associated with this lease.
- State**                    **N/A:** the lease is unconfigured.  
**free:** the lease is not in use by a client.  
**leased:** the lease is used by a client.
- Expiry**                    Time in HH:MM:SS until this lease expires.  
If the lease is inactive then 00:00:00 is displayed.
- Operation**            **DELETE:** this button will delete the selected lease and its configuration.  
**Note:** after using **DELETE** the whole DHCP Subnet configuration needs to be saved in order to effectively deactivate the lease.
- Click to configure new static lease** By default the **Lease Settings** table has no lease configuration. Only through this drop-down list new static leases may be configured.  
This drop-down list offers the list of unconfigured **Port Based O82 leases ( DHCP Option 82 Leases)** and a **Host Based MAC lease** which may be multiple times selected for individual static MAC leases configuration.  
The presence of **Port Based O82 leases** is directly influenced by the **Port VLAN Membership**. Adding and/or removing port members in a VLAN will add and/or remove Port Based O82 leases in the Lease Settings configuration.  
Once a Port Based O82 lease is selected it will be directly shown in the **Lease Settings** table.  
A Port Based O82 lease is returned to this drop-down list after a **DELETE** operation.

## 4.4 Rapid Spanning Tree

Spanning Tree is a protocol and algorithm used to prevent packets from circling in loops. This is crucial when the physical network topology consists of one or more rings. Rings are often used to get redundant physical communication paths.



If there are no loops (rings) in your network topology, we recommend disabling Spanning Tree.

In such a setup Spanning Tree is needed for correct network operation. Otherwise switching loops are created which will inhibit the correct and stable operation of the whole network, because traffic will quickly reach 100% utilization.

Spanning Tree is able to detect such loops in the physical topology and break them up logically. For proper operation a Root Bridge is needed, towards which all other Ethernet Switches in the network will maintain open communication. The placement of this Root Bridge may be critical to the performance of the whole network in cases where frequent link failures occur.

Best practices indicate that the Root Bridge should be the Ethernet Switch with the most central physical position in the network, which has the most available bandwidth. It makes sense to also designate a second best Ethernet Switch as “backup” Root Bridge.

To decide which Ethernet Switch will be the Root Bridge the configurable **Bridge Priority** parameter is used. A lower value specifies a higher priority. In case of equal Bridge Priority values the Management MAC Addresses will be used as a tie breaker to determine the Root Bridge.

To ensure proper Spanning Tree operation in a network all Ethernet Switches must either forward or process the RSTP packets. Therefore all devices that support RSTP should have that feature enabled.

RSTP works on the physical connection and is not affected by VLANs. If RSTP is enabled, RSTP packets are sent on all ports, irrespective of VLANs. If VLANs are used, care must be taken to ensure that rings present in the topology carry the same VLANs for the complete ring (respectively).

The source MAC address of the sent RSTP packets is that port’s individual MAC address.

Option	Setting
Spanning Tree Protocol	RSTP ▼
Bridge Priority	32768 ▼

### Spanning Tree Protocol

**RSTP:** Spanning Tree operation according to IEEE 802.1Q-2005 RSTP standard.

**none:** Spanning Tree operation is disabled.

### Bridge Priority

Values starting from 0 to 61440 based on which a “root” bridge can be elected. A value of 0 is the highest priority.



## 5 Enhanced Features

### 5.1 Power Over Ethernet (PoE)

Power over Ethernet (PoE) is a standard to deliver power through Ethernet cable. The ROQSTAR device acts as Power Sourcing Equipment (PSE), while the connected device, that consumes the power, is called Powered Device (PD).

As soon as PoE enabled on a port, the PoE function will automatically monitors the port for a PD detection and classification. If a valid PD is detected, it will be classified according to IEEE802.3at and powered according port settings.

ROQSTAR device utilizes port based power management settings to budget power per port. This is necessary to avoid overallocation of power. Practically, most of the PDs are low power devices. There are two options to set budget power per port, based on:

- PoE Class: Power allocation values per port are 4W, 7W, 15.4W, 30W
- Current Limit: Power allocation values per port are 2W, 4W, 6W, 8W, 10W, 12W, 15W, 20W

Port	Powered Device Name	Enable PoE	Limit Class	nominal Power Limit	Priority	ITxPT xstatus
P1		<input checked="" type="checkbox"/>	Class 4 (30W) ▼	Class based ▼	low ▼	<input type="checkbox"/>
P2		<input checked="" type="checkbox"/>	Class 4 (30W) ▼	Class based ▼	low ▼	<input type="checkbox"/>
P3		<input checked="" type="checkbox"/>	Class 4 (30W) ▼	Class based ▼	low ▼	<input type="checkbox"/>
P4		<input checked="" type="checkbox"/>	Class 4 (30W) ▼	Class based ▼	low ▼	<input type="checkbox"/>

**Port** The name of the specific port being configured.

**Powered Device Name** Descriptive name which may be used for the PD.

**Enable PoE** Check box for enabling/disabling PoE on the selected port.

**Limit Class** Setting for Class Limit according to PoE Classes. PD with classification matches set Limit Class or lower will be powered.  
PoE Class overview:

- Class 0 (15.4W)
- Class 1 (4W)
- Class 2 (7W)
- Class 3 (15.4W)

- Class 4 (30W)

**Note:** Class 0 is handled as Class 3

**Nominal Power Limit** Setting for port based power budget according to current limit values. PD equal or lower to set current limit will be powered. In case a PD exceeds the port power budget, it will be immediately dropped.

Possible values:

- Class based (current limit set according to Class Wattage)
- 2W (current limit set to 56.25mA)
- 4W (current limit set to 93.75mA)
- 6W (current limit set to 131.25mA)
- 8W (current limit set to 168.75mA)
- 10W (current limit set to 206.25mA)
- 12W (current limit set to 243.75mA)
- 15W (current limit set to 318.75mA)
- 20W (current limit set to 412.50mA)

**Priority** Port based priorities for dropping PD in case of exceeding power budget.

- low: PD on this ports will be dropped first
- high: PD on this ports will be dropped, after all low priority ports are being dropped
- critical: PD on this ports will be dropped at last

**ITxPT xstatus** Enable PoE port power off reporting via xstatus on this port

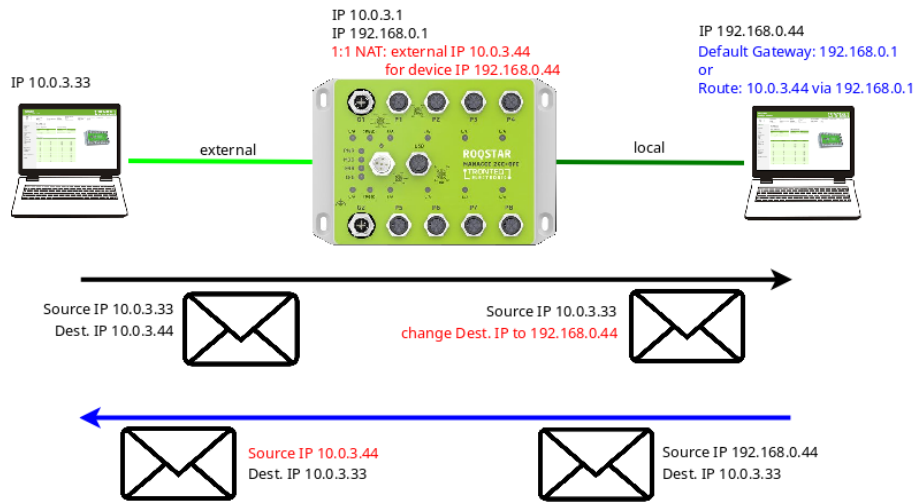
**Note:** All limits are measured at the port of ROQSTAR device. The available power reaching the PD also depends on the length and quality of the cable connection.

## 5.2 Network Address Translation (NAT)

---

This feature allows communication between selected hosts in different IP segments.

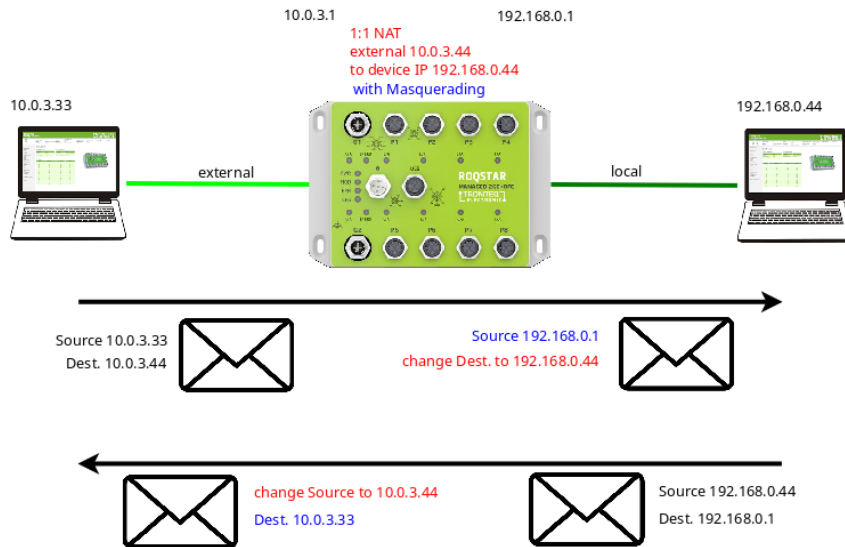
The 1:1 NAT is an IP address translation between the External IP Address and the **Device IP Address**. The External IP Address is a “virtual” IP address inside ROQSTAR device. All incoming packets for the External IP Address will be sent to local Device IP Address by replacing the original External IP Address with the Device IP Address.



If **Masquerade** is enabled this will also replace the source address with the ROQSTAR device's IP address. For both parties it looks like they are communicating with a device in the local subnet. This has the advantage that no routing tables and gateway are needed.

If **Masquerade** is disabled, extra settings are needed in the local device:

- default gateway should be set to IP address of ROQSTAR device, or
- a routing table entry to the device should be configured



Masquerading makes the configuration much easier, because the participating device doesn't need default route (or gateway) configuration.

**Note:** Changing the NAT settings will interrupt existing connections.

### NAT Status

Setting	Status
NAT enabled	<input checked="" type="checkbox"/>

Set NAT Status

**NAT enabled**

Enable / Disable NAT function.

**Set NAT Status**

**enable** NAT: This operation will activate the NAT function

**disable** NAT: This operation will deactivate the NAT function. All existing NAT rules will be removed.

### Create 1:1 NAT

Parameter	Value
Device IP Address	192.168.10.20
External IP Address	10.12.21.20
Masquerade	<input type="checkbox"/>

Create 1:1 NAT Rule

**Device IP Address**

The Device IP Address of the device that should be reachable from the other network

**External IP Address**

The IP Address that should represent the device in the other network

**Masquerade**

enable Masquerade: If Masquerade is selected this will also replace the source address with the ROQSTAR device IP address.

disable Masquerade: No masking of the sender.

**Note:** Masquerade will not need extra routing table entries.

### Notes:

Interface	Settings			NAT	
	IP Address	Netmask	Gateway	IP Forwarding	Proxy ARP
ipvlan2	10.12.21.1	255.255.0.0		<input checked="" type="checkbox"/>	<input checked="" type="checkbox"/>
ipvlan3	192.168.10.1	255.255.255.0		<input checked="" type="checkbox"/>	<input checked="" type="checkbox"/>

- IP Forwarding will allow IP packets to be routed between different VLANs if they match a NAT rule. This is necessary to applying NAT rules for IP packets entering or exiting this IP Interface.
- Proxy ARP will allow the ROQSTAR device to answer ARP requests regardless of VLAN.

## 5.3 Port Forwarding

This feature will redirect a single TCP or UDP port to a different device. The *Incoming IP Address* must be one of the ROQSTAR device's IP addresses.

**Create Port Forwarding**

Parameter	Value
Incoming IP Address	192.168.1.1
Incoming Port	1500
Protocol	TCP
Destination IP Address	192.168.2.10
Destination Port	80
Masquerade	<input type="checkbox"/>

Create Port Forwarding

**Incoming IP Address** The IP Address where connections are expected. This must be a ROQSTAR device's IP Address to work

**Incoming Port** The port where connections are expected.

**Note:** If a port is used where a service is running (e.g. the web server) this service will no longer be reachable.

**Protocol** The Protocol

- TCP
- UDP

**Destination IP Address** The IP Address where packages are sent to.

**Destination Port** The Port where packages are sent to.

**Masquerade** enable Masquerade: This will mask the original sender of the message with the ROQSTAR device's IP Address  
disable Masquerade: No masking of the sender.

**Note:** Masquerade makes routing table entries unnecessary.

## 5.4 Quality of Service (QoS)

QoS feature allows setting priority to outgoing packets. Priority is mapped to output queues. Each port contains eight independent output queues with different options for priority. Depending on the queue's properties an algorithm selects which of the queues gets to send the next packet.

There are two different types of queues:

- **Strict queues** have a ranking. First, all packets of the highest-ranking queue are sent, then all packets of the next-highest ranking queue etc.
- **Weighted queues** have a fixed ratio between them. For example one queue is allowed to send two times as many packets as a particular other weighted queue. A round robin scheduling is utilized. Weighted queues are ranked lower than strict queues.

Queue	Type
Q7	strict, with highest rank
Q6	strict, with second-highest rank
Q5	strict, with third-highest rank
Q4	weighted, with factor 12
Q3	weighted, with factor 6
Q2	weighted, with factor 3
Q1	weighted, with factor 2
Q0	weighted, with factor 1

The priority ranking is: Q7 > Q6 > Q5 > [round robin between Q4/Q3/Q2/Q1/Q0].

Assigning packets to a queue is possible through values in the packet itself (the PCP value of a VLAN tag or the DSCP value of an IP header) or by assigning fixed priority to the port the packet was received on.

Settings	Description
default queue	Packets are assigned to the configured "Default Queue" of this port, regardless of their PCP or DSCP values.
PCP > default queue	Packets are assigned by their PCP value (if a VLAN tag is present), else to the configured "Default Queue".

DSCP > default queue	Packets are assigned by their DSCP value (if a IP header is present), else to the configured “Default Queue”.
PCP > DSCP > default queue	Packets are assigned by their PCP value (if a VLAN tag is present), else by their DSCP value (if a IP header is present), else to the configured “Default Queue”.

The assignment of PCP / DSCP values to the queues is defined in corresponding tables:

- mapping of PCP value (0..7) to queue (Q0..Q7)
- mapping of DSCP value (0..63) to queue (Q0..Q7)

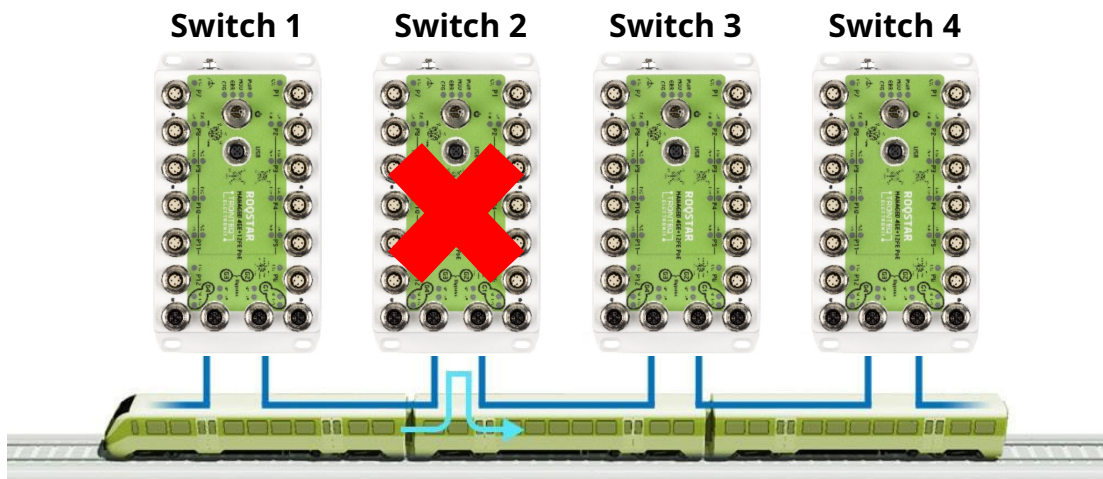
**Notes:**

- If ROQSTAR device adds VLAN tag to packet the PCP value in this tag will be determined by DSCP to PCP mapping. There is an additional mapping for this case: mapping of DSCP value (0..63) to PCP value (0..7).
- In all other cases the configured “Default PCP” value of the packet’s ingress port is used.
- Typically there are no usable PCP/DSCP values in the packets coming from the peripheral devices, so the ROQSTAR device could be configured to use the “Default Queue” criterion. A port whose connected device should always be allowed to send, is assigned the Default Queue Q7 (strict, highest rank), while two less important devices are assigned Q2 and Q4. Q4 is favored by a factor of  $12/3=4$  compared to Q2. When the packets coming from these devices have the same destination port, the packet scheduling is as follows: As long as there are packets in Q7 they are sent exclusively. When Q7 is empty, both Q2 and Q4 are allowed to send. As long as both contain packets, Q4 sends four times as many packets as Q2.

## 5.5 Bypass Relay

The bypass relay function provides connection between two ports even if ROQSTAR device is power down or failed to boot the software image.

The bypass relay is build in between two ports. If ROQSTAR device is in power down or in boot process, the relays are closed and hard-wire the bypass relay ports. In this state the data traffic may pass through these ports. As soon as the ROQSTAR device is in operation, the bypass relay is switched off, and data traffic flows through ROQSTAR Ethernet Switch and will be processed according settings in ROQSTAR device.



**Notes:**

- If the bypass is active the port LED of bypass relay ports are off.
- If the bypass is active ROQSTAR Ethernet Switch has no impact on data traffic flows on the bypass relay ports.



## 6 Diagnostic Features

### 6.1 Identifying the ROQSTAR Device

ROQSTAR devices have several identifiers that are either immutable and unique or can be changed by the user.

Identifier	Example	Description	Occurrence
Serial number	524F531B05000009	unique	type label on enclosure web interface LLDP message SNMP sysDescr DNS-SD inventory
host name	roqstar-fcf8b7080286	unique	LLDP message SNMP sysName
Management MAC address	FC:F8:B7:08:02:86	unique	type label on enclosure web interface LLDP message IP communication
Port MAC addresses	FC:F8:B7:08:02:87 one for each Ethernet port	unique	web interface LLDP message SNMP ifPhysAddress
Description	CCTV Switch_123	parameter	web interface
Contact, Location	Vehicle_123, Door_1	parameter	web interface SNMP sysContact, sysLocation

## 6.2 Port Monitoring

This monitoring function shows the current state and settings of the Ethernet ports:

Port		Status			Configuration				MACs
Port	Name	Link	Speed	Duplex	Link	Auto Negotiation	Speed	Duplex	
G1		down	-	-	enabled	enabled	-	-	fc:f8:b7:08:00:07
G2		down	-	-	enabled	enabled	-	-	fc:f8:b7:08:00:0f
G3		down	-	-	enabled	enabled	-	-	fc:f8:b7:08:00:10
G4		down	-	-	enabled	enabled	-	-	fc:f8:b7:08:00:0e
P1		down	-	-	enabled	enabled	-	-	fc:f8:b7:08:00:01
P2		down	-	-	enabled	enabled	-	-	fc:f8:b7:08:00:02
P3		down	-	-	enabled	enabled	-	-	fc:f8:b7:08:00:03
P4		down	-	-	enabled	enabled	-	-	fc:f8:b7:08:00:04
P5		down	-	-	enabled	enabled	-	-	fc:f8:b7:08:00:05
P6		down	-	-	enabled	enabled	-	-	fc:f8:b7:08:00:06
P7		down	-	-	enabled	enabled	-	-	fc:f8:b7:08:00:08
P8		down	-	-	enabled	enabled	-	-	fc:f8:b7:08:00:09
P9		down	-	-	enabled	enabled	-	-	fc:f8:b7:08:00:0a
P10		down	-	-	enabled	enabled	-	-	fc:f8:b7:08:00:0b
P11		down	-	-	enabled	enabled	-	-	fc:f8:b7:08:00:0c
P12		up	100	full	enabled	enabled	-	-	fc:f8:b7:08:00:0d

<b>Port</b>	The name of the port as seen on the device's casing
<b>Name</b>	A descriptive name assigned by the user
<b>Link Status</b>	down: the port has no link partner or link negotiation failed up: the port has successfully established a link with another device
<b>Speed Status</b>	"-": no speed can be reported because there is no link 10: 10 Mbit Ethernet 100: 100 Mbit Fast Ethernet 1000: 1000 Mbit Gigabit Ethernet
<b>Duplex Status</b>	full: Ethernet Full Duplex operation is active. half: Ethernet Half Duplex operation is active. If this mode hasn't been explicitly configured then it may be an indicator of cable problems or link configuration incompatibilities.
<b>Link Configuration</b>	Current configured setting
<b>Auto Negotiation Configuration</b>	Current configured setting
<b>Speed Configuration</b>	Current configured setting
<b>Duplex Configuration</b>	Current configured duplex setting
<b>MAC</b>	The MAC Address associated to this port

## 6.3 Packet Counters

The ROQSTAR device continuously counts the packets traffic. These counters are shown in the web interface and may be used when troubleshooting.

**Note:** All counters are 64 bit counters which on overflow will reset the value to 0

Port	Incoming					Outgoing				
	Octets	Unicast Packets	Non-Unicast Packets	Discards	Errors	Octets	Unicast Packets	Non-Unicast Packets	Discards	Errors
G1	42,134	0	246	0	0	98,644	0	1,273	0	0
G2	0	0	0	0	0	0	0	0	0	0
G3	0	0	0	0	0	0	0	0	0	0
G4	0	0	0	0	0	0	0	0	0	0
P1	0	0	0	0	0	0	0	0	0	0
P2	0	0	0	0	0	0	0	0	0	0

- Port** The name of the port as seen on the device's label.
- Incoming Octets** The total number of bytes received on this port since ROQSTAR device has been powered on.
- Incoming Unicast Packets** The total number of unicast packets received on this port since ROQSTAR device has been powered on.
- Incoming Non-Unicast Packets** The total number of non-unicast packets (multicast and broadcast packets) received on this port since ROQSTAR device has been powered on.
- Incoming Discards** The total number of packets which could not be received on this port since ROQSTAR device has been powered on.  
**Note:** Due to bandwidth the packets need to be discarded because not enough resources are available to correctly process them.
- Incoming Errors** The total number of malformed packets received on this port since ROQSTAR device has been powered on.  
**Note:** Malformed packets may be generated by cable issues or incorrect port settings.
- Outgoing Octets** The total number of bytes sent on this port since the ROQSTAR device has been powered on.
- Outgoing Unicast Packets** The total number of unicast packets sent on this port since the ROQSTAR device has been powered on.
- Outgoing Non-Unicast Packets** The total number of non-unicast packets (multicast and broadcast packets) sent on this port since the ROQSTAR device has been powered on.
- Outgoing Discards** The total number of packets which could not be sent on this port since the ROQSTAR device has been powered on.  
**Note:** Due to bandwidth constraints, the packets need to be

discarded because not enough resources are available for correct processing.

**Outgoing Errors** The total number of malformed packets sent on this port since the ROQSTAR device has been powered on.

## 6.4 PoE Monitoring

This monitoring function shows the PoE port state, allocated total power, detected PD classes, power consumption, voltage and current values per port.

**Power budget** The **Power Budget** shows total power value available and that may be allocated by all PoE devices in sum

**Power allocated** The **Power Allocated** shows how much power is currently allocated.

Port	PD Name	PoE Mode	Priority	PoE Status	PD Class	Limit Class	Power Limit	Power allocated	Power Usage (W)	Voltage (V)	Current (mA)
P2		enabled	low	not detected	-	30W (Class 4)	-				
P3		enabled	low	powered	0 (15.4W)	30W (Class 4)	-	15.4W	1.86	53.8	34.5
P4		enabled	low	not detected	-	30W (Class 4)	-				
P5		enabled	low	not detected	-	30W (Class 4)	-				
P8		enabled	low	not detected	-	30W (Class 4)	-				
P9		enabled	low	not detected	-	30W (Class 4)	-				
P10		enabled	low	not detected	-	30W (Class 4)	-				
P11		enabled	low	not detected	-	30W (Class 4)	-				

**Port** The name of the port as seen on the device's casing

**PD Name** This is a descriptive name which may be used for the powered device

**PoE Mode** PoE operation on the selected port

**Priority** Set port priority

**PoE Status** PoE state of the port

**PD Class** This shows the class of the connected PoE device

**PD Limit Class** The upper limit for the maximum accepted PoE class on this port

**Power Limit** This shows the current Nominal Power Limit for this port

**Power allocated** This shows how much power is allocated for this port

**Power Usage (W)** This shows the present power delivered

**Voltage (V)** This shows the present voltage on the port

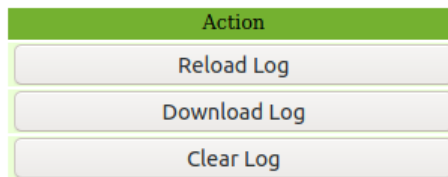
**Current (mA)** This shows the present current delivered by the ROQSTAR device in mA

## 6.5 Event Logging

### 6.5.1 Internal Event Logging

The ROQSTAR device can store up to 8000 log entries in its internal memory. By exceeding 8000 entries a corresponding event with message “Log entries limit 8000 exceeded.” is generated and oldest entries will be replaced if new event entries occur.

Following interaction are supported:



**Reload Log** This operation will refresh the log entries being displayed.

**Download Log** This operation will offer for download a CSV formatted file containing all log entries.

**Clear Log** This operation will delete all current log entries.

The log entries information is organized as follows:

Total Runtime	Synchronized Time (UTC)	Impact	Service	Message
7 days 21:52:57	2020-07-28 14:51:30	NOTICE	STP	Port G1 Spanning Tree state changed to forwarding.
7 days 21:52:57	2020-07-28 14:51:30	NOTICE	STP	Port G1 Spanning Tree state changed to learning.
7 days 21:52:55	2020-07-28 14:51:28	NOTICE	PORT	Link up 1000Mbit/s Full Duplex detected on port G1.
7 days 21:52:55	2020-07-28 14:51:28	NOTICE	STP	Port G1 Spanning Tree state changed to blocking.
7 days 21:52:09	2020-07-28 14:50:43	NOTICE	NTP	Time synchronization completed.
7 days 21:19:22	-	NOTICE	PORT	Link down detected on port G1.
7 days 21:19:22	-	NOTICE	STP	Port G1 Spanning Tree state changed to disabled.
7 days 20:39:54	-	NOTICE	STP	Port G1 Spanning Tree state changed to forwarding.
7 days 20:39:54	-	NOTICE	STP	Port G1 Spanning Tree state changed to learning.
7 days 20:39:53	-	NOTICE	PORT	Link up 1000Mbit/s Full Duplex detected on port G1.
7 days 20:39:53	-	NOTICE	STP	Port G1 Spanning Tree state changed to blocking.

**Total Runtime** The total run time of the device since the first boot.

**Synchronized Time (UTC)** The synchronized time in UTC format.  
**Note:** This is available only when NTP synchronization is active.

**Impact** The impact describes the importance or the severity of the log message:  
**CRITICAL:** Function is disrupted.

**ERROR:** Function error is detected.

**WARNING:** Function may not behave as expected.

**NOTICE:** Informational message, no function impact.

**Service**

The service that triggered the message. May be one of:

**POE:** Power Over Ethernet function.

**NTP:** Network Time synchronization function.

**POWER:** Power supply monitoring function.

**PORT:** Switch port management function.

**STP:** Spanning Tree function.

**IP:** IP Interfaces management function.

**SYSTEM:** System management function.

**USB:** USB management function.

**DHCP:** Dynamic IP Address configuration function.

**Message**

The message body.

## 6.5.2 Remote Event Logging

This feature allows to send log messages to a remote server for collection and storage in addition to the local event logging. In case no network connection is available an effort to try sending the log messages later is made. The feature utilizes the syslog protocol via UDP and TCP.

Apart from the event-driven log messages sending of periodic messages can be enabled, also known as MARK or heartbeat messages. On the receiver side their presence indicate that the ROQSTAR device is running and the network connection is alive.

### Remote Logging

Setting	Value
Enabled	<input checked="" type="checkbox"/>
Destination	<input type="text" value="192.168.1.222"/>
Protocol	<input type="text" value="UDP"/>
Port	<input type="text" value="514"/>
Periodic heartbeat messages	<input checked="" type="checkbox"/>
Interval of heartbeat messages	<input type="text" value="60"/> seconds

<b>Enable</b>	Activate or deactivate the remote logging functionality.
<b>Destination</b>	The IPv4 address or hostname of the computer the log messages shall be sent to.
<b>Protocol, Port</b>	The protocol (either UDP or TCP) used to send the log messages, along with the protocol's destination port (1 – 65535).
<b>Periodic heartbeat messages</b>	Whether periodic messages (also known as “MARK”) shall be sent to signify that the ROQSTAR device is still “alive”.
<b>Interval of heartbeat messages</b>	Interval of the heartbeat messages from 10 seconds to 3600 seconds.

### 6.5.3 NTP Client

The ROQSTAR device is able to synchronize its internal time with a remote source. The NTP Client queries the time from a NTP server, whose address must be configured. Either an IPv4 address or a hostname. The interval in which the time is queried is configurable from 8 seconds to 1092 minutes.

Once the NTP Client has synchronized its clock it will generate a log entry. This can be used to calculate the time of earlier log entries. The time synchronization status will be directly visible in the log entry.

Option	Setting
Enable	<input type="checkbox"/>
Server IP	192.168.1.1
Query Interval	8 seconds

<b>Enable</b>	Activate or deactivate the time synchronization service.
<b>Server IP</b>	The IP Address or hostname of an NTP time source server.
<b>Query Interval</b>	This interval determines how often the client should sent time requests to the server.

## 6.6 DNS-SD Inventory Service

The DNS-SD Inventory service can be used for discovering and monitoring devices. It utilizes mDNS multicasts, so devices can be discovered even if it is not known which or how many devices are expected. This inventory service is specified by ITxPT and implemented according to specification version 2.1.1.

The information is provided by a TXT record. It is automatically transmitted at startup and can also be queried via the address `_itxpt_socket._tcp.local`

Parameter	Explanation	Example value
txtvers	version of the TXT record	1
version	version of the ITxPT specification	2.1.1
type	type of the device (MESW: Managed Ethernet Switch)	MESW
model	model of the device	ROQ-4G12F-M-LP-IP54
manufacturer	manufacturer of the device	TRONTEQ
serialnumber	serial number of the device	524F531904000014
softwareversion	software version running on the device	2.2.0
hardwareversion	hardware version of the device	1
macaddress	Management MAC address of the device	FC:F8:B7:08:01:21
status	status of the last self check	0
services	active ITxPT services	inventory
xstatus	hardware state	C0FFFFFFFFF3FFFF01 FCFFFFFFFFFFFF

## 6.7 ITxPT xstatus

The xStatus is information provided in the ITxPT inventory service TXT record. It is used to publish the device status in a generic way. Up to 60 device status are supported. Each device status can have one of the following states:

Status code	Implication
00	OK
01	Alarm
10	Warning
11	Not available

### 6.7.1 Device Status No. 1

The Device Status No. 1 will have the value of the most urgent values of the other device status fields that are supported. In that sense it reports whether there are any alerts.

### 6.7.2 Device Status No. 20

The Device Status No. 20 reports ROQSTAR device's power supply

Status code	Implication
00 (OK)	voltage of V1 and V2 are valid
01 (Alarm)	supply voltage of V1 is not valid



	supply voltage of V2 is valid
10 (Warning)	supply voltage of V1 is valid supply voltage of V2 is not valid

### 6.7.3 Device Status No. 31

The Device Status No. 31 reports link status, if enabled

Status code	Implication
00 (OK)	all monitored ports have a links established
01 (Alarm)	at least one monitored links has no link

### 6.7.4 Device Status No. 32

The Device Status No. 32 reports global status of PoE function

Status code	Implication
00 (OK)	PoE is running
01 (Alarm)	PoE error
11 (not available)	PoE function not available

### 6.7.5 Device Status No. 33

The Device Status No. 33 reports status of PoE ports, if enabled

Status code	Implication
00 (OK)	all monitored PoE ports provide power
01 (Alarm)	On at least one monitored PoE port provides no power
11 (not available)	PoE function not available

## 6.8 SNMP

The SNMP function allows for remote monitoring of certain ROQSTAR device functions. The information is defined in MIBs and referred to by their OID numbers. The MIBs supported by ROQSTAR devices are

- MIB-2 > system (OID 1.3.6.1.2.1.1)
- MIB-2 > ifTable (OID 1.3.6.1.2.1.2.2)
- MIB-2 > powerEthernetMIB (OID 1.3.6.1.2.1.105)
- LLDP-MIB (OID 1.0.8802.1.1.2)

SNMP versions 1, 2c and 3 are supported. SNMP version 1 and 2c implement access based on a community name. ROQSTAR device supports one community with read only access (**read community**) and one community with read and write access (**write community**). In

these SNMP versions the authentication mechanism transmits the communities in an insecure manner over the network.

In SNMP version 3 a stronger authentication mechanism is used to prevent eavesdropping. The supported cryptography standards are SHA as **authentication protocol** and AES-128 as **privacy protocol**. Together with the user settings these are the credentials required when requesting information via SNMPv3.

**Note:** It is possible to forego authentication by omitting the passwords.

Server settings:

Setting	Status
Version 1:	<input checked="" type="checkbox"/>
Version 2c:	<input checked="" type="checkbox"/>
Version 3:	<input checked="" type="checkbox"/>
Version 1 / 2c Settings	
Read Community	<input type="text" value="public"/>
Write Community	<input type="text" value="private"/>

**Version 1** Check mark to enable or disable SNMP version 1.

**Version 2c** Check mark to enable / disable SNMP version 2c.

**Version 3** Check mark to enable / disable SNMP version 3.

**Read Community** The community name consisting of a size between 4 to 32 characters.

**Write Community** The community name consisting of a size between 4 to 32 characters.

User settings

**Add User**

Parameter	Value
Username:	<input type="text"/>
Authpass:	<input type="text"/>
Privpass:	<input type="text"/>

**Username** SNMPv3 user name to be added. A valid user name must have a size between 1 to 32 printable ASCII characters.

**Note:** An SNMP version 3 user has always read and write access.

**Authpass** SNMP Authentication password for the new user. A valid password must have a size between 8 - 255 printable ASCII

characters.

**Privpass** User's private password consisting of a size between 8 to 255 printable ASCII characters.

**Add User** This operation configures the given user.

## 6.8.1 SNMP Traps

SNMP Traps are messages sent by the ROQSTAR device to give notification on certain events to a remote server for monitoring purposes.

**Note:** SNMP traps are always sent using SNMP version 1.

SNMP Traps are configured with the following parameters:

Parameter	Status
Enabled	<input type="checkbox"/>
Receiver	192.168.1.1
Trap Community	trap

**Enable** Check mark to enable or disable the SNMP trap function.

**Receiver** The IP address or hostname of the SNMP trap receiver.

**Trap Community** The name of the SNMP Trap community used for authentication.

Supported SNMP Trap events:

Event	Content	Enterprise (OID)	Information
Link up	A port identifier in the form of ifIndex from IF-MIB.	1.3.6.1.2.1.11	Generic-trap: 3 (linkUp)
Link down	A port identifier in the form of ifindex from IF-MIB.	1.3.6.1.2.1.11	Generic-trap: 2 (linkDown)
Device start	-	1.3.6.1.4.1.8072.4.0.1	Enterprise (OID)
Device restart	-	1.3.6.1.4.1.8072.4.0.2	Enterprise (OID)
PoE port starts to deliver power	A port identifier in the form of pethPsePortIndex from powerEthernetMiB.	1.3.6.1.2.1.105.0.1	Variable bindings: value: 3
Powered device is removed	A port identifier in the form of pethPsePortIndex from powerEthernetMiB.	1.3.6.1.2.1.105.0.1	Variable bindings: value: 4

PoE power supply disabled/stopped on a port due to power limit	A port identifier in the form of pethPsePortIndex from powerEthernetMiB	1.3.6.1.2.1.105.0.1	Variable bindings: value: 1
--	---	---------------------	-----------------------------

## 6.9 LLDP

LLDP is a protocol used for topology mapping and discovery by having neighboring devices regularly exchange information on the interconnection links. The messages contain general information about the sender like MAC Address or Names.

LLDP message content sent by ROQSTAR device:

Data	Example value
System Name	roqstar-fcf8b7000000
System Description	ROQSTAR Managed Ethernet Switch, FW: 2.3.0, SN: 524F531B05000009
Chassis ID Type and Value	Locally assigned, FC:F8:B7:00:00:00
Port ID Type and Value	MAC address, FC:F8:B7:00:00:03
Port Description	P3
Time To Live	40 seconds

**Note:** The source MAC address in the LLDP packets sent by ROQSTAR device is specific per port.

LLDP settings:

Port	Setting
G1	receive & transmit
G2	receive & transmit
G3	receive & transmit
G4	receive & transmit
P1	receive & transmit
P2	receive & transmit
P3	receive & transmit
P4	receive & transmit

**Port** The name of the ROQSTAR device port being affected by the LLDP configuration.

**receive only** Incoming LLDP frames are processed only.

**receive & transmit** Incoming LLDP frames are processed and local LLDP frames are periodically transmitted using a 10 seconds interval.

#### LLDP Information:

Local Port	System Name	System Description	Chassis ID Type	Chassis ID Value	Port ID Type	Port ID Value	Port Description	Age
G2	rogstar-fcf8b7080033	ROQSTAR Managed Ethernet Switch, FW: 2.0.1, SN: 524F531B04000000	local	fc:f8:b7:08:00:33	mac	fc:f8:b7:08:00:43	G3	0 day, 00:00:25

**Local Port** The local Port Name on which this neighbor device has been detected.

**System Name** The name of the neighbour.

**System Description** The system description of the neighbour.

**Chassis ID Type** The chassis id advertised by the neighbour.

**Chassis ID Value** The chassis id advertised by the neighbour.

**Port ID Type** The port ID type on the neighbour device the frame was sent from.

**Port ID Value** The port ID value on the neighbour device the frame was sent from.

**Port Description** The port description on the neighbour device the frame was sent from.

**Age** The time in seconds since this neighbour has been detected.

## 6.10 Port Mirroring

---

Port Mirroring allows the duplication of network traffic seen on specific ports. The duplicated packets are sent out on another port. These “mirrored” packets reflect the actual traffic and can be captured using packet sniffer tools for debugging purposes.

For multiple ports either the **incoming** traffic, **outgoing** traffic or both can individually configured to be mirrored to a single **destination port**.

Port	Traffic to mirror		Destination
	Incoming	Outgoing	
G1	<input type="checkbox"/>	<input type="checkbox"/>	<input type="checkbox"/>
G2	<input type="checkbox"/>	<input type="checkbox"/>	<input type="checkbox"/>
G3	<input type="checkbox"/>	<input type="checkbox"/>	<input type="checkbox"/>
G4	<input type="checkbox"/>	<input type="checkbox"/>	<input type="checkbox"/>
P1	<input type="checkbox"/>	<input type="checkbox"/>	<input type="checkbox"/>
P2	<input type="checkbox"/>	<input type="checkbox"/>	<input type="checkbox"/>

**Port** The ROQSTAR device port to be mirrored or used as a destination port.

**Traffic to mirror** **Incoming:** RX frames entering this port.

**Outgoing:** TX frames leaving this port.

**Destination** The port where mirrored packets are copied to. Only one port may be configured as destination port.

**Note:**

- The destination port can not be used as a mirrored port.
- Do not attach another ROQSTAR device to the destination port.

## 7 Factory Default Settings

System identification	<ul style="list-style-type: none"><li>• description: "description"</li><li>• contact: "contact"</li><li>• location: "location"</li></ul>
DNS Client	<ul style="list-style-type: none"><li>• disabled</li></ul>
Files	<ul style="list-style-type: none"><li>• no files present</li></ul>
Ethernet Ports	<ul style="list-style-type: none"><li>• All ports are enabled, Auto Negotiation</li><li>• Monitoring via ITxPT xstatus is disabled</li></ul>
VLAN	<ul style="list-style-type: none"><li>• disabled</li></ul>
IP Interfaces, DHCP Client	<ul style="list-style-type: none"><li>• IP address 192.168.1.1, subnet mask 255.255.255.0</li><li>• IP Forwarding, Proxy ARP disabled</li><li>• DHCP Client disabled</li></ul>
QoS	<ul style="list-style-type: none"><li>• disabled</li><li>• default PCP: 0</li></ul>
Port Mirroring	<ul style="list-style-type: none"><li>• disabled</li></ul>
LLDP	<ul style="list-style-type: none"><li>• enabled</li></ul>
Spanning Tree	<ul style="list-style-type: none"><li>• RSTP is enabled</li><li>• Bridge Priority 32768</li></ul>
DHCP Servers	<ul style="list-style-type: none"><li>• disabled</li></ul>
PoE	<ul style="list-style-type: none"><li>• enable PoE: true on all ports</li><li>• limit class: class 4</li><li>• nominal power limit: Class based</li><li>• priority: low</li><li>• ITxPT xstatus: disabled</li></ul>
NTP	<ul style="list-style-type: none"><li>• disabled</li></ul>
Remote Logging	<ul style="list-style-type: none"><li>• disabled</li></ul>
SNMP	<ul style="list-style-type: none"><li>• SNMP v1, v2c and v3 are enabled</li><li>• no SNMPv3 user accounts</li><li>• read community: public</li><li>• write community: private</li></ul>
SNMP Traps	<ul style="list-style-type: none"><li>• disabled</li></ul>
NAT	<ul style="list-style-type: none"><li>• disabled</li></ul>
User accounts	<ul style="list-style-type: none"><li>• user name: admin</li><li>• password: password</li></ul>